


[LANCIA](#) / [YPSILON](#) / [1.3 JTD](#) / [PROCEDURES](#) / [55 ELECTRICAL EQUIPMENT](#)
 / [5505 ELECTRICAL CIRCUIT FOR INSTRUMENTS/INDICATORS](#) / [5505A MULTI-FUNCTION COMPONENTS](#)
 / 5505A43 (DIGITAL NETWORK) CONTROL UNIT IN DRIVER'S DOOR -R.R. WITH PANEL REMOVED

2429368 - 5505A43 (DIGITAL NETWORK) CONTROL UNIT IN DRIVER'S DOOR -R.R. WITH PANEL REMOVED

 Removing ([Refitting](#) )

1. Disconnect electronic control unit electrical connections (1a), (1b), (1c).

	Name	Connector
1a	Driver's door control unit	

	Name	Connector
1b	Driver's door control unit	

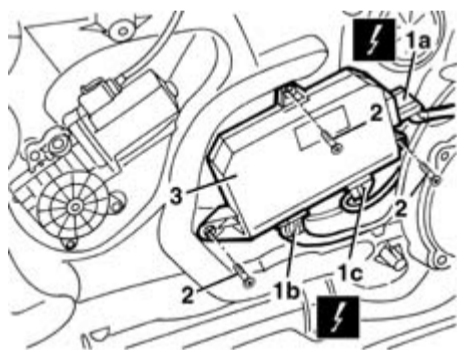
	Name	Connector
1c	Driver's door control unit	



	Name	Connector
1c	Driver's door control unit	

	Name	Connector
1c	Driver's door control unit	

2. Undo the bolts.

3. Recover the control unit



 Refitting ([Removing](#) )

Position the control unit and fix it using the bolts.

Connect the electrical connections .